



Technical comercial data ref.

Serie ELEGANCE

CAPO011604 30-11-22
Approved UN 1H2/Y21.5/S Group II and III solids with inner bag,
marked with a danger triangle for blind people.

TECHNICAL DATA:

Material: Polypropylene copolymer of first quality.

Colours: White standar. Consult for other colours.

Useful Volume: 22.0 litres

Volume to the edge: 24.4 litres

Weight of the bucket: 833 g. approx.

Weight of the lid: 219 g. approx.

Weight of the handle (plastic): 35 g. approx.

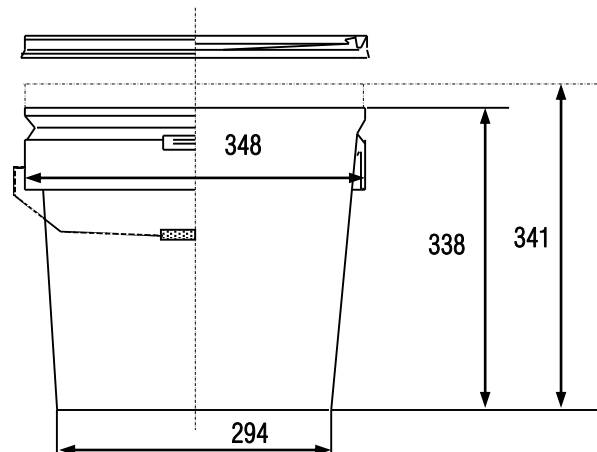
Total Weight: 1087 g. approx.

Decorative surface flat inks: 230 x 945 mm (height x perimeter)

Design surface photographic finish: 230 x 960 mm (height x perimeter)



MEASUREMENTS:



Measurements in millimetres

GROUPING OF TRANSPORT:

Buckets: 300 buckets per pallet

Pallet dimensions: 1500 x 1100 x 2115 (seedrawing)

Lids: 60 lids per bag, this serves as a
packaging of transportation

Bag dimension: \varnothing 348 x 870

