



TECHNICAL DATA:

Material: Polypropylene copolymer of first quality, suitable for contact with food according to current regulations.

Colours: White standard. Consult for other colours.

Useful Volume: 6 litres

Volume to the edge: 6.3 litres

Weight of the rectangular bucket: 186 g. approx.

Weight of the lid: 53 g. approx.

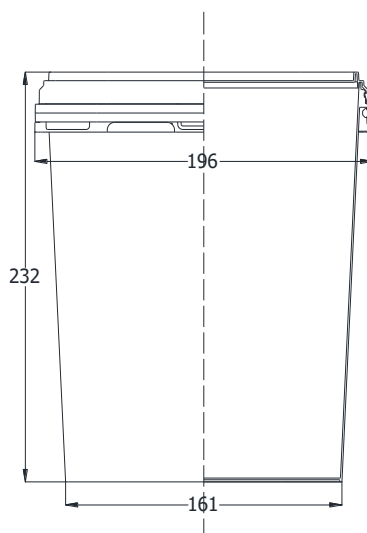
Weight of the handle (plastic): 6 g. approx.

Total Weight: 245 g. approx.



Design surface photographic finish: 175 x 620 mm (height x perimeter)

MEASUREMENTS:



Measurements in millimetres

GROUPING OF TRANSPORT:

Rectangular buckets: 900 rectangular buckets per pallet
Pallet dimensions: 1180 x 979 x 1150 (see drawing)

Lids: 180 lids per box, this serves as a packaging of transportation

Box dimension: 445 x 210 x 915

