



## Technical comercial data

# E-25-UN T.E-22

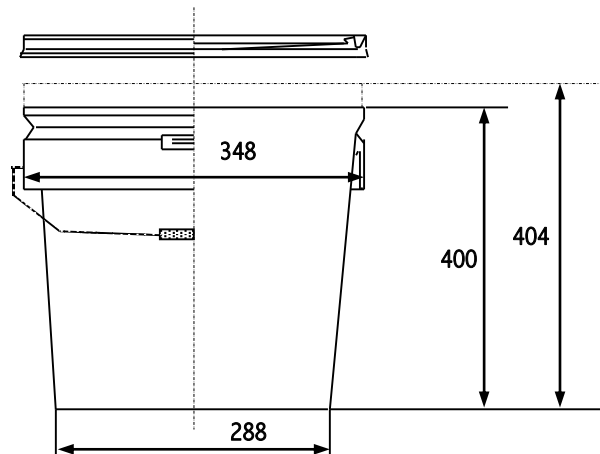
Serie ELEGANCE – Versión 24-01-2024  
Approved UN 1H2/Y26/S Group II and III solids with inner bag,  
marked with a danger triangle for blind people.

### TECHNICAL DATA:

Material:	PP copolymer of first quality.
Colours:	White standard. Consult for other colours.
Useful Volume:	25 litres
Volume to the edge:	28.5 litres
Weight of the bucket:	952 g. approx.
Weight of the lid:	219 g. approx.
Weight of the handle (plastic):	35 g. approx.
Total Weight:	1206 g. approx.
Decorative surface flat inks:	270 x 946 mm (height x perimeter)
Design surface photographic finish:	290 x 955 mm (height x perimeter)



### MEASUREMENTS:



Measurements in millimetres

### GROUPING OF TRANSPORT:

Buckets:	300 buckets per pallet
Pallet dimensions:	1400 x 1044 x 2160 (see drawing)
Lids:	60 lids per bag, this serves as a packaging of transportation
Bag dimension:	∅ 348 x 870

