



Technical comercial data

E-25 T.E-22

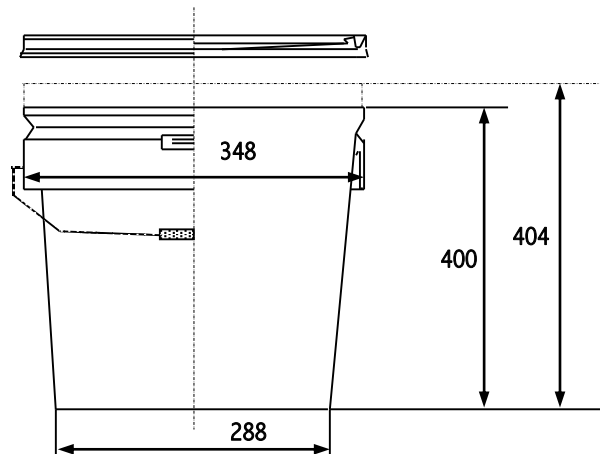
Serie ELEGANCE – Versión 24-01-2024

TECHNICAL DATA:

Material:	PP copolymer of first quality, suitable for contact with food according to current regulations.
Colours:	White standard. Consult for other colours.
Useful Volume:	25 litres
Volume to the edge:	28.5 litres
Weight of the bucket:	952 g. approx.
Weight of the lid:	219 g. approx.
Weight of the handle (plastic):	35 g. approx.
Total Weight:	1206 g. approx.
Decorative surface flat inks:	270 x 946 mm (height x perimeter)
Design surface photographic finish:	290 x 955 mm (height x perimeter)



MEASUREMENTS:



Measurements in millimetres

GROUPING OF TRANSPORT:

Buckets:	300 buckets per pallet
Pallet dimensions:	1400 x 1044 x 2160 (see drawing)
Lids:	60 lids per bag, this serves as a packaging of transportation
Bag dimension:	∅ 348 x 870

