



## Technical comercial data

# E-25 T.E-22-O

Serie ELEGANCE – Versión 24-01-2024

Lid with screw shutter cap

## TECHNICAL DATA:

Material: PP copolymer of first quality, suitable for contact with food according to current regulations.

Colours: White standard. Consult for other colours.

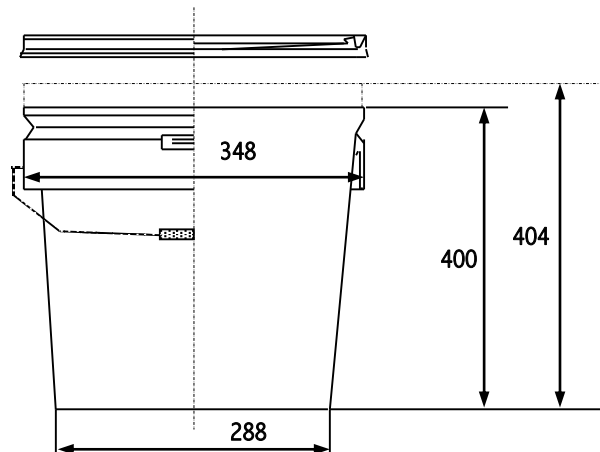
Useful Volume: 25 litres  
Volume to the edge: 28.5 litres

Weight of the bucket: 952 g. approx.  
Weight of the lid (with berg): 244 g. approx.  
Weight of the handle (plastic): 35 g. approx.  
Total Weight: 1231 g. approx.

Decorative surface flat inks: 270 x 946 mm (height x perimeter)  
Design surface photographic finish: 290 x 955 mm (height x perimeter)



## MEASUREMENTS:



Measurements in millimetres

## GROUPING OF TRANSPORT:

Buckets: 300 buckets per pallet  
Pallet dimensions: 1400 x 1044 x 2160 (see drawing)

Lids: 60 lids per bag, this serves as a packaging of transportation

Bag dimension:  $\varnothing$  348 x 890

