



ENVASES SANZ BELDA, S.L.

Tel.: 34 96 236 02 32 - calidad@envasesanzbelda.es - www.envasesanzbelda.es
Pol. Ind. San José. Avda, Valencia, parc. 7 - Apdo. de Correos 46 - 46812 Aielo de Malferit. Valencia. (España)



Technical comercial data ref.

N-14 T.N-16

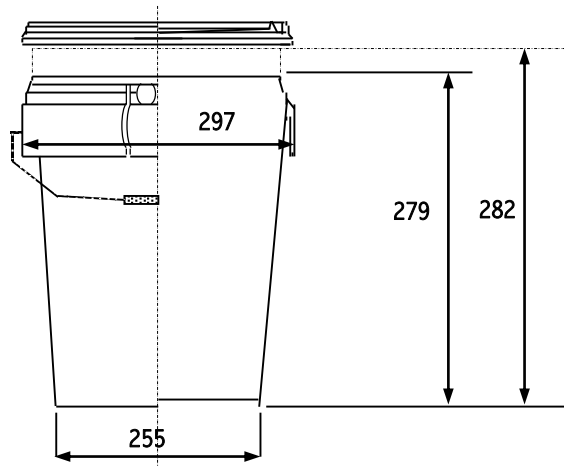
Serie NOVA – Versión 02-08-2023

TECHNICAL DATA:

Material:	PP copolymer of first quality, suitable for contact with food according to current regulations.
Colours:	White standard. Consult for other colours.
Useful Volume:	14 litres
Volume to the edge:	15,2 litres
Weight of the bucket:	499 g. approx.
Weight of the lid:	131 g. approx.
Weight of the handle: - metal:	55 g. approx.
- plastic:	3 g. approx.
Total Weight:	688 g. approx.
Decorative surface flat inks:	190 x 822 mm (height x perimeter)
Design surface photographic finish:	195 x 845 mm (height x perimeter)



MEASUREMENTS:



Measurements in millimetres

GROUPING OF TRANSPORT:

Buckets:	360 buckets per pallet
Pallet dimensions:	1200 x 900 x 1845 (see drawing)
Lids:	90 lids per bag, this serves as a packaging of transportation
Bag dimension:	∅ 298 x 870

