



Technical comercial data ref.

Serie MASTER NOVA

CAPO011604 30-11-22

TECHNICAL DATA:

Material: Polypropylene copolymer of first quality, suitable for contact with food according to current regulations.

Colours: White standard. Consult for other colours.

Weight of the bucket: 7.5 litres

Volume to the edge: 9.8 litres

Weight of the bucket: 301 g. approx.

Weight of the lid (with berg): 141 g. approx.

Weight of the handle (plastic): 26 g. approx.

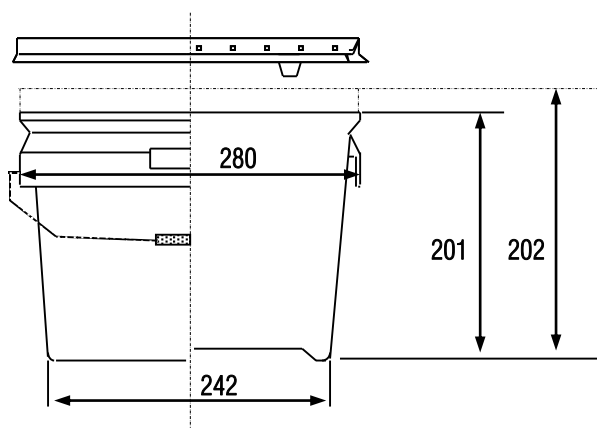
Total Weight: 468 g. approx.

Decorative surface flat inks: 140 x 779 mm (height x perimeter)

Design surface photographic finish: 140 x 795 mm (height x perimeter)



MEASUREMENTS:



Measurements in millimetres

GROUPING OF TRANSPORT:

Buckets: 480 buckets per pallet
Pallet dimensions: 1150 x 850 x 1680 (seedrawing)

Lids: 60 lids per bag, this serves as a packaging of transportation

Bag dimension: 280 x 810

