



Technical comercial data ref.

Serie ELEGANCE

CAPO011604 30-11-22

TECHNICAL DATA:

Material: Polypropylene copolymer of first quality, suitable for contact with food according to current regulations.

Colours: White standard. Consult for other colours.

Useful Volume: 25.0 litres

Volume to the edge: 28.5 litres

Weight of the bucket: 953 g. approx.

Weight of the lid (with berg): 240 g. approx.

Weight of the handle (plastic): 35 g. approx.

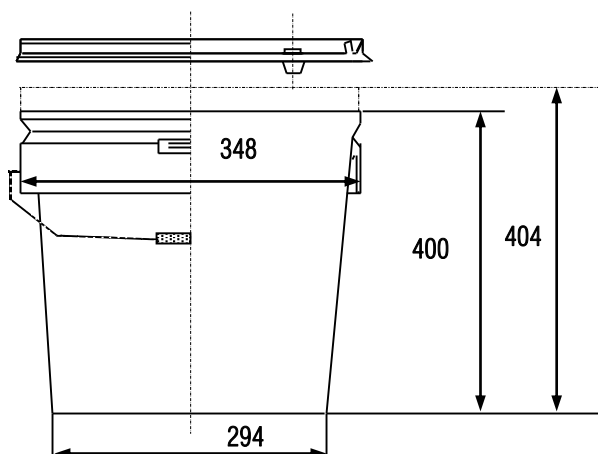
Total Weight: 1228 g. approx.

Decorative surface flat inks: 270 x 946 mm (height x perimeter)

Design surface photographic finish: 290 x 955 mm (height x perimeter)



MEASUREMENTS:



Measurements in millimetres

GROUPING OF TRANSPORT:

Buckets: 300 buckets per pallet
Pallet dimensions: 1500 x 1100 x 2160 (seedrawing)

Lids: 60 lids per bag, this serves as a packaging of transportation

Bag dimension: \varnothing 348 x 890

