



CU-5.5-UN T.CU-5.5

Technical comercial data ref.

Serie CUBETA

CAPO011604 26-02-20
Approved UN 4H2/Y6.5/S Group II and III solids with inner bag

TECHNICAL DATA:

Material: Polypropylene copolymer of first quality.

Colours: White standard. Consult for other colours.

Useful Volume: 5.5 litres

Volume to the edge: 6.2 litres

Weight of the rectangular bucket: 213 g. approx.

Weight of the lid: 69 g. approx.

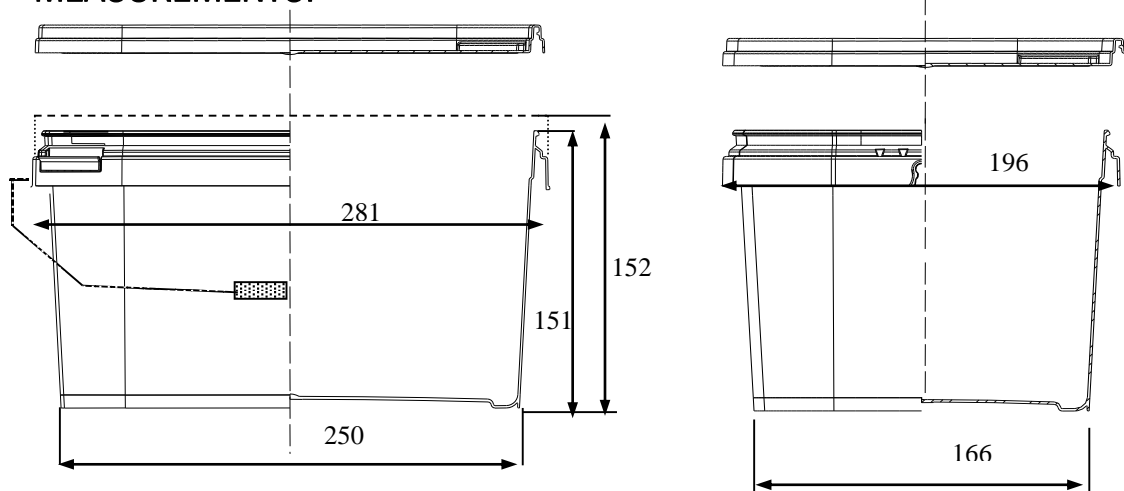
Weight of the handle (plastic): 21.2 g. approx.

Total Weight: 303.2 g. approx.



Design surface photographic finish: 105 x 770 mm (height x perimeter)

MEASUREMENTS:



Measurements in millimetres

GROUPING OF TRANSPORT:

Rectangular buckets: 600 rectangular buckets per pallet
Pallet dimensions: 1180 x 1020 x 1130 (see drawing)

Lids: 200 lids per box, this serves as a packaging of transportation

Box dimension: 810 x 287 x 410

