



## TECHNICAL DATA:

Material: Polypropylene copolymer of first quality, suitable for contact with food according to current regulations.

Colours: White standard. Consult for other colours.

Useful Volume: 5.5 litres

Volume to the edge: 6.2 litres

Weight of the rectangular bucket: 213 g. approx.

Weight of the lid: 69 g. approx.

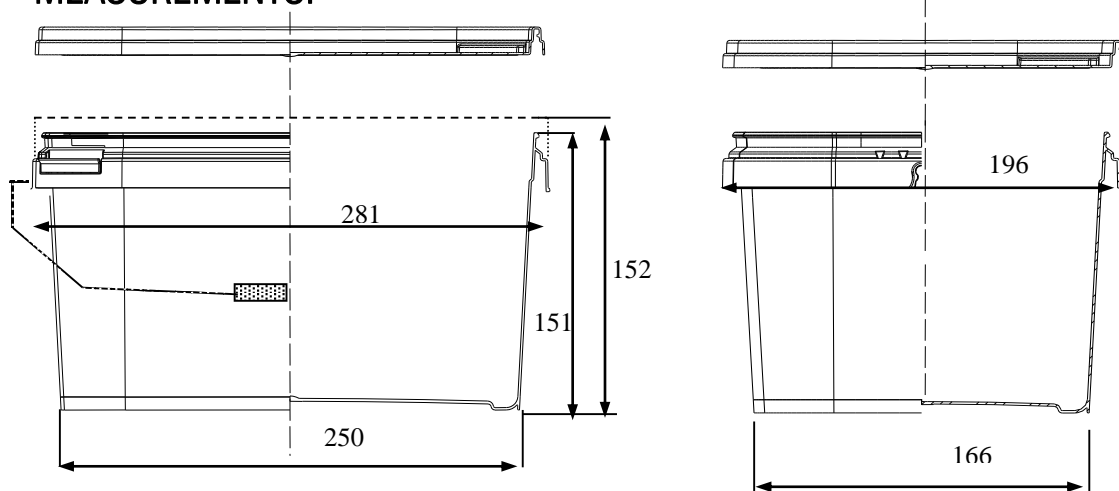
Weight of the handle (plastic): 21.2 g. approx.

Total Weight: 303.A2 g. approx.



Design surface photographic finish: 105 x 770 mm (height x perimeter)

## MEASUREMENTS:



Measurements in millimetres

## GROUPING OF TRANSPORT:

Rectangular buckets: 600 rectangular buckets per pallet

Pallet dimensions: 1180 x 1020 x 1130 (see drawing)

Lids: 200 lids per box, this serves as a packaging of transportation

Box dimension: 810 x 287 x 410

