



## Technical comercial data

# N-0.38 T.N-0.5

Serie NOVA – Versión 21-02-2024

### TECHNICAL DATA:

Material: PP copolymer of first quality, suitable for contact with food according to current regulations.

Colours: White standard. Consult for other colours.

Useful Volume: 0.38 litres

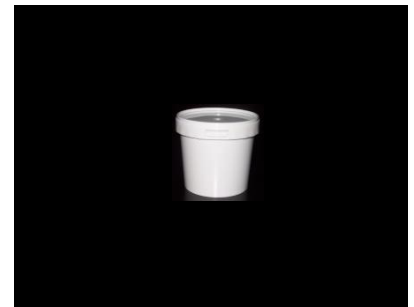
Volume to the edge: 0.43 litres

Weight of the bucket: 24 g. approx.

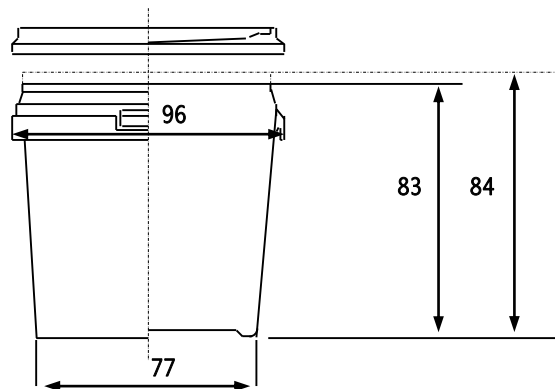
Weight of the lid: 6 g. approx.

Total Weight: 30 g. approx.

Design surface photographic finish 60 x 260 mm (height x perimeter)



### MEASUREMENTS:



### GROUPING OF TRANSPORT:

Tubs: 12.600 tubs per pallet  
350 tubs per box, this serves as a packaging of transportation

Box dimension: 210 x 490 x 625

Pallet dimensions: 1260 x 1000 x 2000 (see drawing)

Lids: 1.400 per box, this serves as a packaging of transportation

Box dimension: 290 x 235 x 685

Measurements in millimetres

