



Technical comercial data ref.

Serie ELEGANCE

CAPO011604 30-11-22

TECHNICAL DATA:

Material: Polypropylene copolymer of first quality, suitable for contact with food according to current regulations.

Colours: White standard. Consult for other colours.

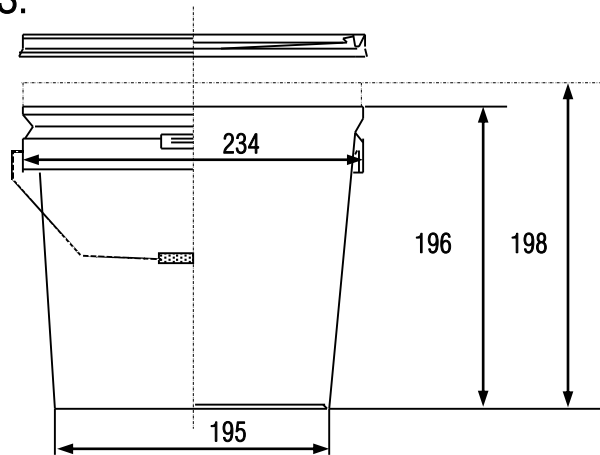
Useful Volume: 5.5 litres
Volume to the edge: 6.5 litres

Weight of the bucket: 186 g. approx.
Weight of the lid: 71 g. approx.
Weight of the handle (plastic): 8 g. approx.
Total Weight: 265 g. approx.



Decorative surface flat inks: 140 x 637 mm (height x perimeter)
Design surface photographic finish: 150 x 655 mm (height x perimeter)

MEASUREMENTS:



Measurements in millimetres

GROUPING OF TRANSPORT:

Buckets: 600 buckets per pallet
Pallet dimensions: 1180 x 960 x 1160 (see drawing)

Lids: 150 lids per box, this serves as a packaging of transportation

Box dimension: 480 x 240 x 960

