



Technical comercial data ref.

Serie ELEGANCE

CAPO011604 30-11-22

### TECHNICAL DATA:

Material: Polypropylene copolymer of first quality, suitable for contact with food according to current regulations.

Colours: White standard. Consult for other colours.

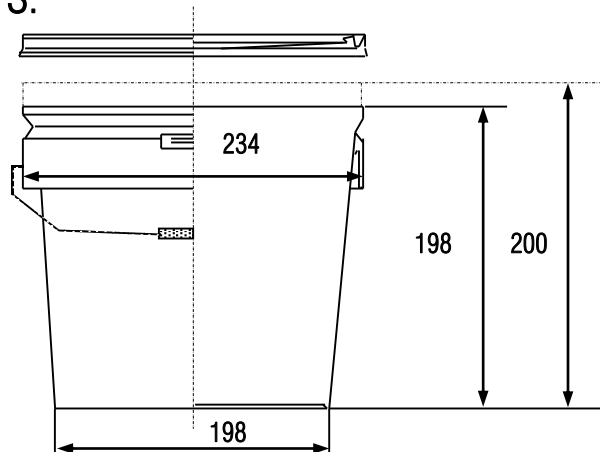
Useful Volume: 5.5 litres  
Volume to the edge: 6.5 litres

Weight of the bucket: 204 g. approx.  
Weight of the lid: 71 g. approx.  
Weight of the handle (plastic): 8 g. approx.  
Total Weight: 283 g. approx.



Decorative surface flat inks: 127 x 637 mm (height x perimeter)  
Design surface photographic finish: 135 x 650 mm (height x perimeter)

### MEASUREMENTS:



Measureamnts in millimetres

### GROUPING OF TRANSPORT:

Buckets: 600 buckets per pallet  
Pallet dimensions: 1180 x 950 x 1190 (see drawing)

Lids: 150 lids per box, this serves as a packaging of transportation

Box dimension: 480 x 250 x 960

