



Technical comercial data ref.

Serie ELEGANCE

CAPO011604 30-11-22

TECHNICAL DATA:

Material: Polypropylene copolymer of first quality, suitable for contact with food according to current regulations.

Colours: White standard. Consult for other colours.

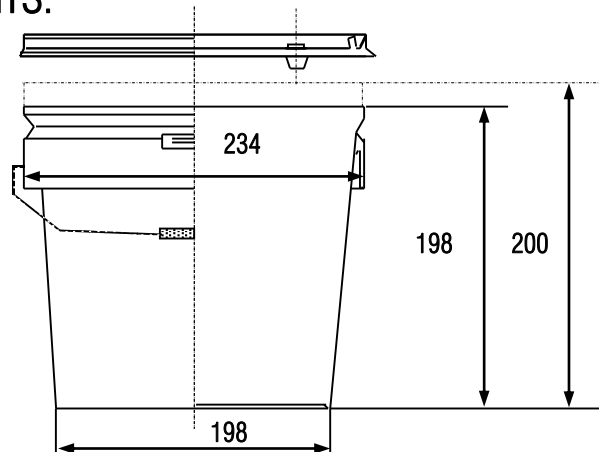
Useful Volume: 5.5 litres
Volume to the edge: 6.5 litres

Weight of the bucket: 204 g. approx.
Weight of the lid (with berg): 101 g. approx.
Weight of the handle (plastic): 8 g. approx.
Total Weight: 313 g. approx.

Decorative surface flat inks: 127 x 637 mm (height x perimeter)
Design surface photographic finish: 135 x 650 mm (height x perimeter)



MEASUREMENTS:



Measurements in millimetres

GROUPING OF TRANSPORT:

Buckets: 600 buckets per pallet
Pallet dimensions: 1180 x 950 x 1190 (see drawing)

Lids: 100 lids per box, this serves as a packaging of transportation

Box dimension: 480 x 250 x 960

