



Technical comercial data ref.

Serie NOVA

CAPO011604 20-01-21
Approved UN 1H2/Y4.2/S Group II and III solids with inner bag

TECHNICAL DATA:

Material: Polypropylene copolymer of first quality.

Colours: White standard. Consult for other colours.

Weight of the bucket: 4.2 litres
Volume to the edge: 5.3 litres

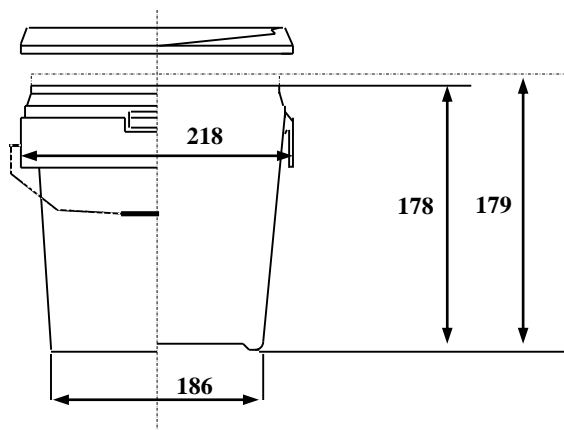
Weight of the bucket: 175 g. approx.
Weight of the lid: 60 g. approx.
Weight of the handle (plastic): 8 g. approx.
Total Weight: 243 g. approx.

Decorative surface flat inks: 120 x 597 mm (height x perimeter)

Design surface photographic finish: 126 x 615 mm (height x perimeter)



MEASUREMENTS:



Measurements in millimetres

GROUPING OF TRANSPORT:

Buckets: 600 buckets per pallet
Pallet dimensions: 1150 x 872 x 1100 (see drawing)

Lids: 200 lids per box, this serves as a packaging of transportation

Box dimension: 440 x 220 x 725

