



Technical comercial data ref.

Serie NOVA

CAPO011604 20-01-21  
Lid design especially configured for thermosealed buckets

### TECHNICAL DATA:

Material: Polypropylene copolymer of first quality, suitable for contact with food according to current regulations.

Colours: White standard. Consult for other colours.

Weight of the bucket: 4.2 litres

Volume to the edge: 5.3 litres

Weight of the bucket: 175 g. approx.

Weight of the lid: 55 g. approx.

Weight of the handle (plastic): 8 g. approx.

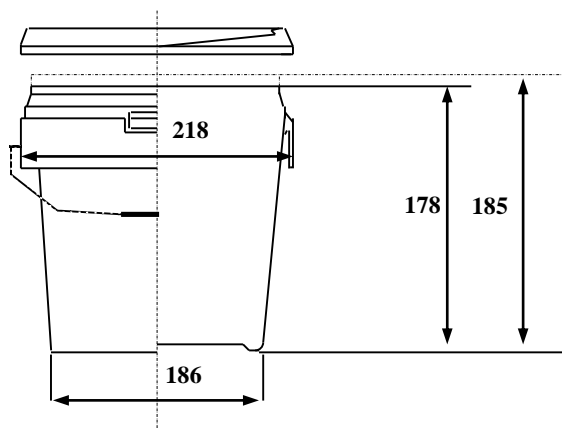
Total Weight: 238 g. approx.

Decorative surface flat inks: 120 x 597 mm (height x perimeter)

Design surface photographic finish: 126 x 615 mm (height x perimeter)



### MEASUREMENTS:



Measureamnts in millimetres

### GROUPING OF TRANSPORT:

Buckets: 600 buckets per pallet  
Pallet dimensions: 1150 x 872 x 1100 (see drawing)

Lids: 200 lids per box, this serves as a packaging of transportation

Box dimension: 440 x 220 x 725

