



N-10-P-UN T.N-10

Technical comercial data ref

Serie NOVA

CAPO011604 04-11-20

Approved UN 1H2/Y11/S Group II and III solids with inner bag

TECHNICAL DATA:

Material: Polypropylene copolymer of first quality.

Colours: White standard. Consult for other colours.

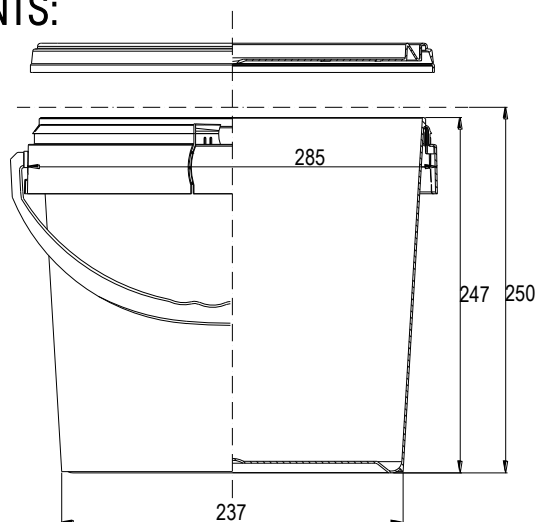
Useful Volume: 10 litres
Volume to the edge: 11.9 litres

Weight of the bucket: 358 g. approx.
Weight of the lid: 117 g. approx.
Weight of the handle (plastic): 26 g. approx.
Total Weight: 501 g. approx.

Decorative surface flat inks: 170 x 779 mm (height x perimeter)
Design surface photographic finish 175 x 795 mm (height x perimeter)



MEASUREMENTS:



Measurements in millimetres

GROUPING OF TRANSPORT:

Buckets: 480 buckets per pallet
Pallet dimensions: 1150 x 850 x 1685 (see drawing)

Lids: 80 lids per bag, this serves as a packaging of transportation

Bag dimension: \varnothing 285 x 945

