



## TECHNICAL DATA:

Material: Polypropylene copolymer of first quality, suitable for contact with food according to current regulations.

Colours: White standard. Consult for other colours.

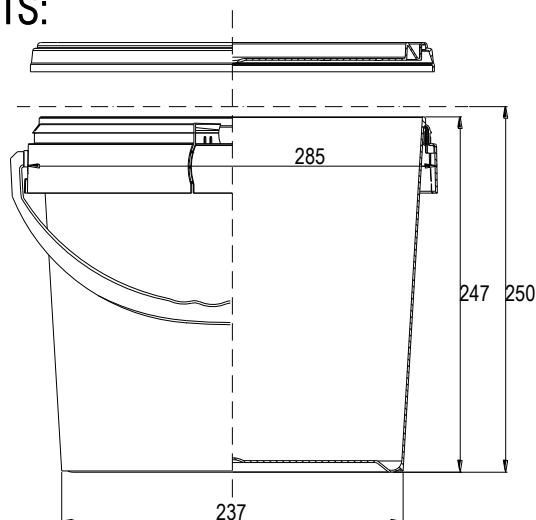
Useful Volume: 10 litres  
Volume to the edge: 11.9 litres

Weight of the bucket: 358 g. approx.  
Weight of the lid: 117 g. approx.  
Weight of the handle (plastic): 26 g. approx.  
Total Weight: 501 g. approx.

Decorative surface flat inks: 170 x 779 mm (height x perimeter)  
Design surface photographic finish 175 x 795 mm (height x perimeter)



## MEASUREMENTS:



Measurements in millimetres

## GROUPING OF TRANSPORT:

Buckets: 480 buckets per pallet  
Pallet dimensions: 1150 x 850 x 1685 (see drawing)

Lids: 80 lids per bag, this serves as a packaging of transportation

Bag dimension:  $\varnothing$  285 x 945

