



### TECHNICAL DATA:

Material: Polypropylene copolymer of first quality, suitable for contact with food according to current regulations.

Colours: White standard. Consult for other colours.

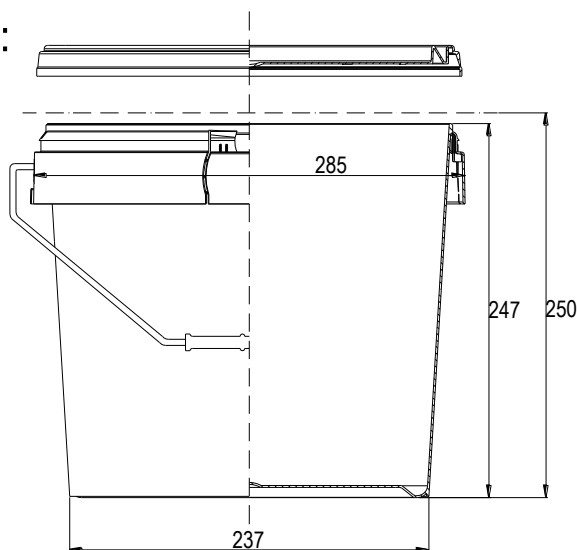
Useful Volume: 10 litres  
Volume to the edge: 11.9 litres

Weight of the bucket: 358 g. approx.  
Weight of the lid (with berg): 141 g. approx.  
Weight of the handle (metal): 56 g. approx.  
Total Weight: 555 g. approx.

Decorative surface flat inks: 170 x 779 mm (height x perimeter)  
Design surface photographic finish 175 x 795 mm (height x perimeter)



### MEASUREMENTS:



Measurements in millimetres

### GROUPING OF TRANSPORT:

Buckets: 480 buckets per pallet  
Pallet dimensions: 1150 x 850 x 1685 (see drawing)

Lids: 80 lids per box, this serves as a packaging of transportation

Box dimension: 290 x 290 x 1070

