



TECHNICAL DATA:

Material: Polypropylene copolymer of first quality, suitable for contact with food according to current regulations.

Colours: White standard. Consult for other colours.

Useful Volume: 10 litres

Volume to the edge: 11.9 litres

Weight of the bucket: 357 g. approx.

Weight of the lid: 119 g. approx.

Weight of the handle: - metal: 55 g. approx.

- plastic: 3 g. approx.

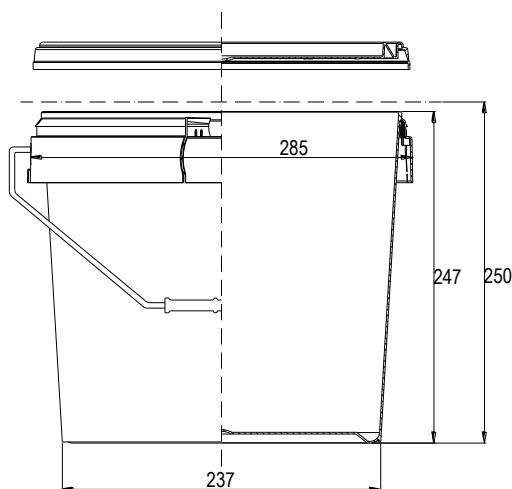
Total Weight: 534 g. approx.

Decorative surface flat inks: 170 x 179 mm (height x perimeter)

Design surface photographic finish: 175 x 795 mm (height x perimeter)



MEASUREMENTS:



Measurements in millimetres

GROUPING OF TRANSPORT:

Buckets: 480 buckets per pallet

Pallet dimensions: 1150 x 850 x 1685 (see drawing) 850

Lids: 80 lids per bag, this serves as a packaging of transportation

Bag dimension: \varnothing 285 x 945

